

Calmark offers the Series 107-75 Card Inserter-Extractor for safe and efficient insertion and extraction of PC cards in applications of high insertion and extraction forces. The Series 107-75 offers high mechanical advantage by means of an extra long lever arm and high strength aluminum material. In addition, a "positive locking" feature protects against PC card walkout.



**FEATURES:**

- "Ultra strong / extra leverage" design overcomes insertion and extraction forces of the highest possible limits.
- Extra long lever arm provides mechanical advantage of 7:1.
- "Positive" locking feature provides PC board walkout resistance of 200 lbs. minimum.
- Actuates from a simple "U" channel form.
- Available with CONDUCTIVE finish.
- Available in colors for coding.

**MATERIALS & FINISH**

**Extractor & Latch -** Aluminum alloy 6061-T6  
Black Anodize per MIL-A-8625, Type II, Class 2.

*For Conductive Finish, add prefix "C" to part number (C107-75).  
Clear chemical film per MIL-5541, Class 3.*

**Latch Spring and Pin -** Stainless steel, Passivated.

**Roll Pins:** Stainless Steel, 3/32" (2.38) Dia. x 1/4" (6.4) long.  
Two furnished with each Inserter Extractor.

*For Pre-Started Board Assembly Pin, add prefix "P" to part number (P107-75)*

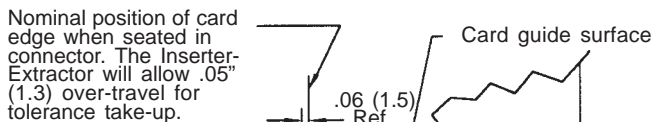
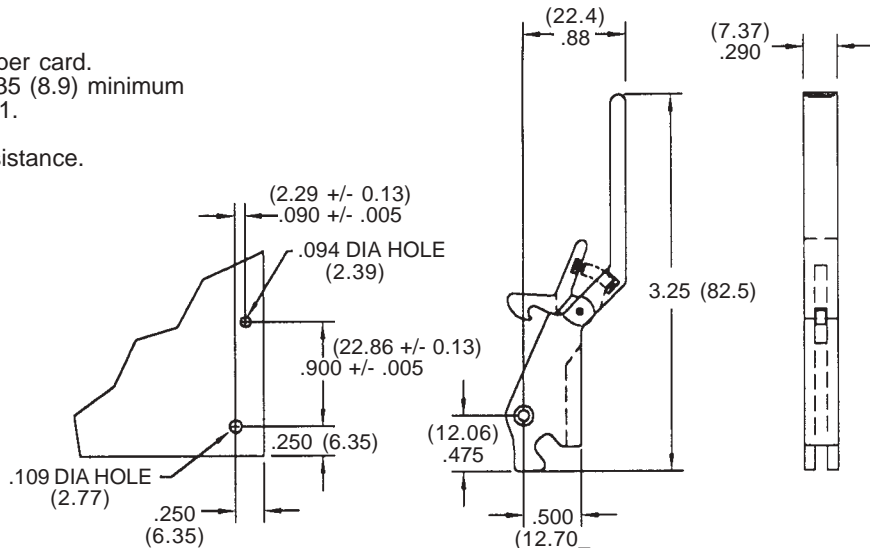
**TOLERANCES:** .xxx = +/- .010, .xx = +/- .02

**TABULATION**

PART NO.	BOARD THICKNESS
107-75	1/16" (1.6)
107-75-3	3/32 (2.4)
107-75-4	1/8" (3.2)

**APPLICATION DATA:**

Two Inserter-Extractors are recommended per card.  
Provides insertion and extraction travel of .35 (8.9) minimum with a mechanical advantage of approx. 7 : 1.  
In locked position, a single device provides 100 lbs. (445N) minimum card walkout resistance.



**DETAIL OF ACTUATING SURFACES**  
Required on top and bottom guide plates of Calmark fabricated card cages.