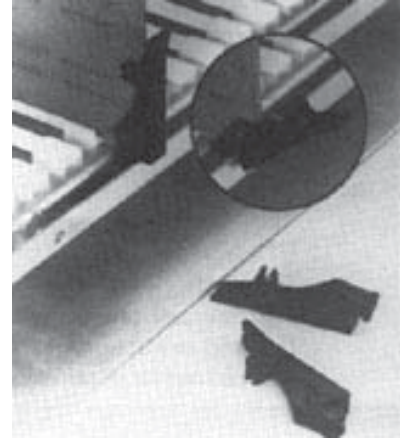


Calmark offers the Series 107-20 Card Inserter-Extractor for efficient insertion and extraction of PC cards in high density connector-contact and multiple connector applications, with the added feature of locking.

**FEATURES:**

- **Lever action overcomes insertion and extraction forces in excess of 100 lbs. (445N)**
- **Locking feature protects against card "walkout".**
- **Actuates from a simple "U" channel form.**
- **No chamfer required on corner of card.**
- **Strong glass filled nylon material.**
- **Available in colors for coding.**
- **Generous area for hot stamp marking.**



**MATERIALS**

**Inserter- Extractor:** Glass Filled 6/6 or 6 Nylon.  
Meets UL 94V-2  
**(For UL 94V-0 rating use P/N prefix "VO")**  
Self extinguishing to flame.  
May be used at 250°F continuously  
Resistant to alkalis, weak acids,  
and common solvents.

**Note:** Otherwise dimensionally the same as standard 107.

**Roll Pins:** Stainless Steel  
3/32 (2.38) dia. x 1/4" (6.4) long  
Two (2) furnished with each inserter-extractor.  
**(To obtain assy pin Pre-Started add prefix "P" to part no.)**

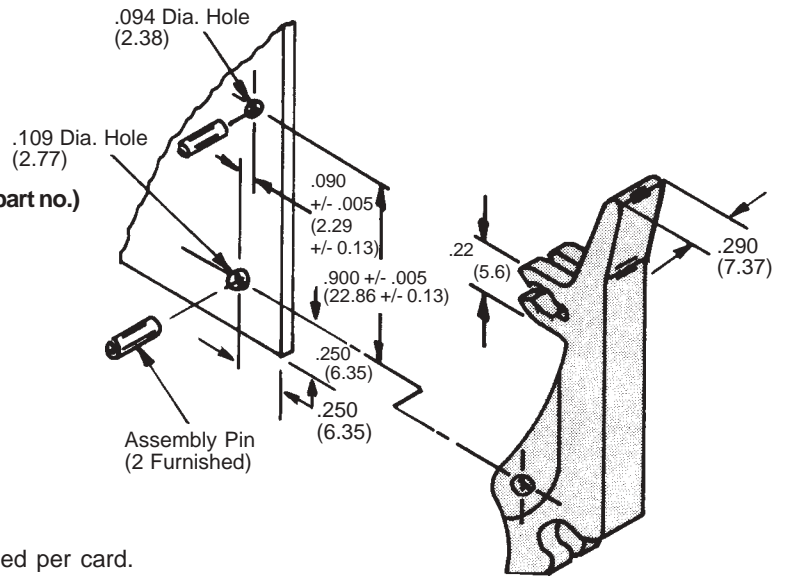
**WEIGHT:** .112 oz (3.17g)

**COLOR:** Standard color is black.  
Additional colors available on request.  
When ordering colors other than black,  
please specify the color you wish.

**HOT STAMPING:** Hot stamp marking can be furnished to  
your requirements.

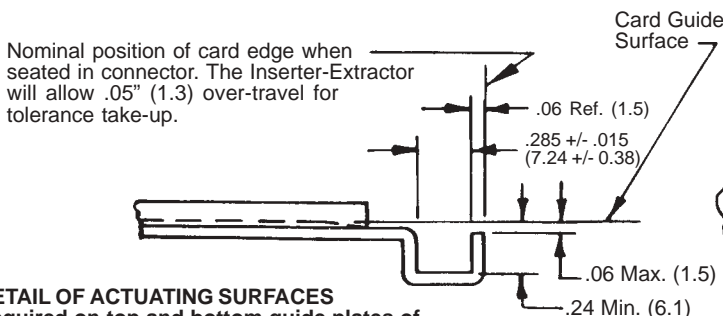
**TOLERANCES:** .xxx = +/- .010, .xx = +/- .02  
(.xx = +/- 0.25, .x = +/- 0.5)

**APPLICATION DATA:** Two inserter-extractors are recommended per card.  
Provides insertion and extraction travel  
of .35 (8.9) minimum with a mechanical advantage  
of approx. 4.5:1.  
In locked position a single device provides approximately  
20lbs. (89 N) of card "walkout" resistance.

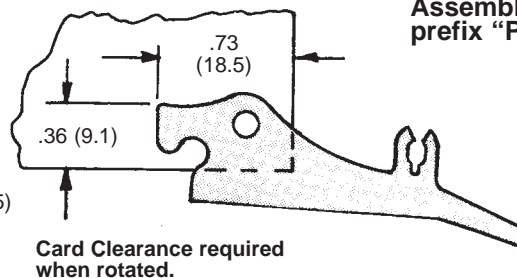


**TABULATION**

Part No.	Card Thickness
107-20	1/16" (1.6)
107-20-3	3/32" (2.4)



**DETAIL OF ACTUATING SURFACES**  
Required on top and bottom guide plates of  
Calmark fabricated card cages.



**To obtain with Pre-Started Assembly Pin add prefix "P" to part number.**