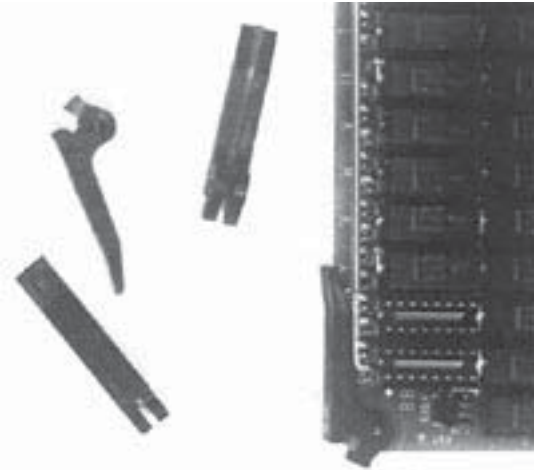


Calmark offers the Series 107-30 space saving Card Inserter-Extractor for efficient insertion and extraction of PC cards in high density connector-contact and multiple connector applications.

FEATURES:

- *Lever action overcomes insertion and extraction forces in excess of 100 lbs.*
- *Replaces similar metal stamped competitive configurations.*
- *Actuates from a low profile simple "U" channel form.*
- *Strong glass filled nylon material.*
- *Available in colors for coding.*
- *Generous area for hot stamp marking.*



MATERIALS

Inserter Extractor: Glass Filled (30%) 6/6 or 6 Nylon.
Meets UL 94V-0.
Self extinguishing to flame.
May be used at 250°F continuously.
Resistant to alkalis, weak acids,
and common solvents.

Roll Pins: Stainless Steel (5/64 (1.98) & 5/16" (7.9) dia. long).
Furnished with each inserter-Extractor.

Weight: .085 oz (2.41g)

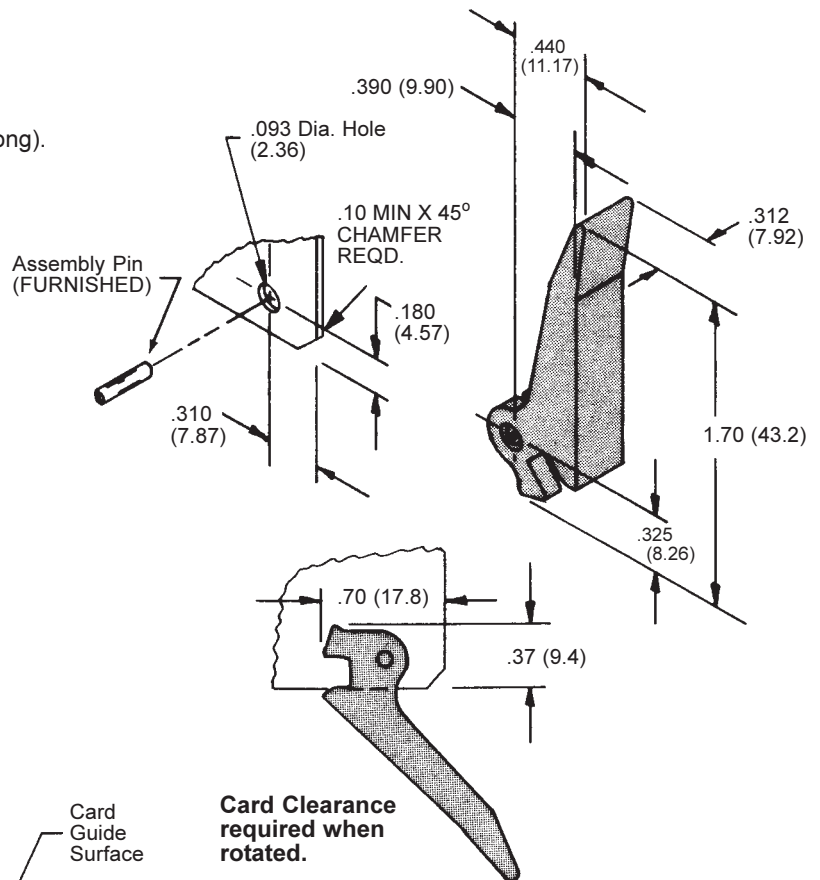
COLOR: Standard color is black.
Additional colors available on request.
When ordering colors other than black,
please specify the color you wish.

HOT STAMPING: Hot stamp marking can be furnished to
your requirements.

TOLERANCES: .xxx = +/- .010, .xx = +/- .020
(.xx=+/- 0.25, .x=+/- 0.5)

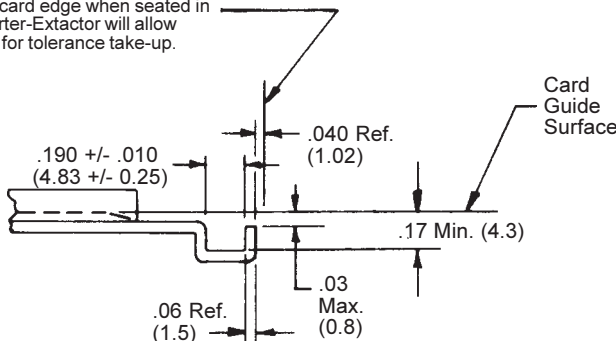
APPLICATION DATA: Two inserter-extractors are
required per card. Provides
insertion and extraction travel
of .30 (7.6) minimum with a
mechanical advantage of approx. 5:1.
Fits 1/16" (1.6) thick cards only.

Available for 1/16" (1.6) thick cards



**Card Clearance
required when
rotated.**

Nominal position of card edge when seated in
connector. The Inserter-Extractor will allow
.03" (0.8) overtravel for tolerance take-up.



DETAIL OF ACTUATING SURFACES
Required on top and bottom guide
plates of Calmark fabricated card
cages.