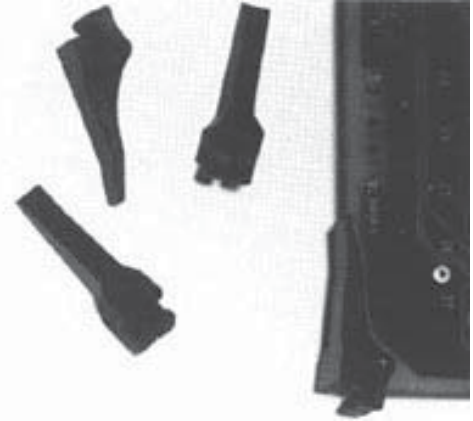


Calmark offers the Series 107-40 Card Inserter-Extractor for safe and easy insertion and extraction of PC cards in applications of extremely high insertion and extraction forces.

FEATURES:

- "Super strong" lever action design overcomes insertion and extraction forces in excess of 200 lbs. (990 N)
- Actuates from a simple "U" channel form.
- Mounting detail on card retrofits other industry standards.
- No chamfer required on corner of card.
- Strong glass filled nylon material.
- Available in colors for coding.
- Generous area for hot stamp marking.



MATERIALS

Inserter-Extractor - Glass filled (30%) 6/6 or 6 Nylon.
Meets UL 94V-0.
Self extinguishing to flame.
May be used at 250°F continuously
Resistant to alkalis, weak acids,
and common solvents

ROLL PINS: Stainless Steel (3/32" (2.36) Dia. x 1/2" (12.7) long).
Furnished with each inserter-extractor.

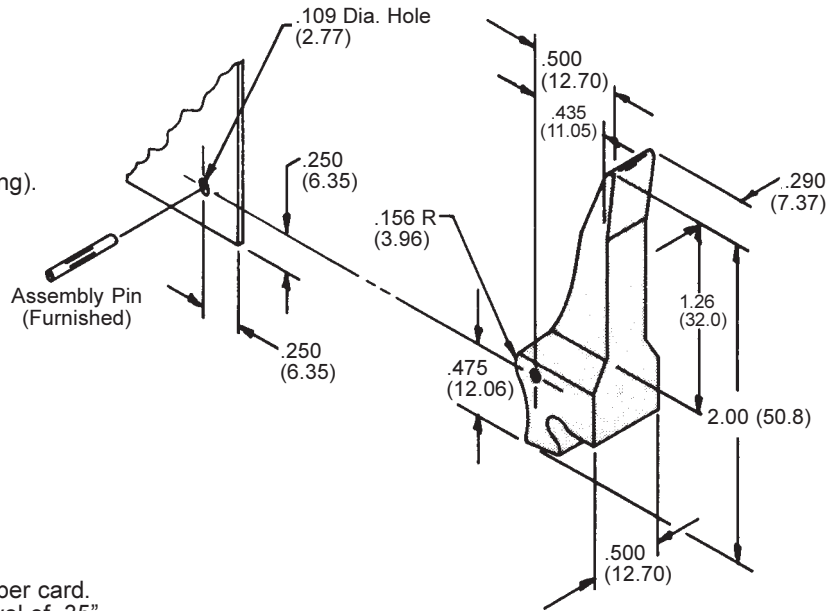
WEIGHT: .197 oz (5.58g)

COLOR: Standard color is black.
Additional colors available on request.
When ordering colors other than black,
please specify the particular color you wish.

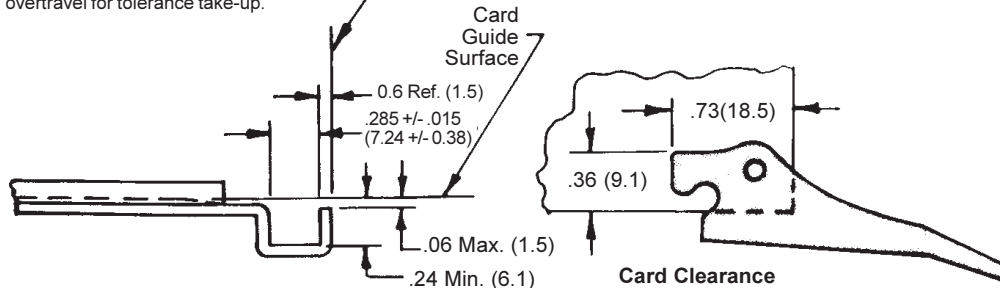
HOT STAMPING: Hot stamp marking can be furnished to your requirements.

TOLERANCES: .xxx = +/- .010, .xx = +/- .02
(.xx=+/- 0.25, .x=+/- 0.5)

APPLICATION DATA: Two inserter-extractors are required per card.
Provides insertion and extraction travel of .35"
(8.9) minimum with a mechanical advantage of 4:1.



Nominal position of card edge when seated in connector. The Inserter-Extractor will allow .05" (1.3) overtravel for tolerance take-up.



DETAIL OF ACTUATING SURFACES
Required on top and bottom guide plates
of Calmark fabricated card cages.

TABULATION

Part No.	Card Thickness
107-40	1/16" (1.6)
107-40-3	3/32" (2.4) or 1/8" (3.2)