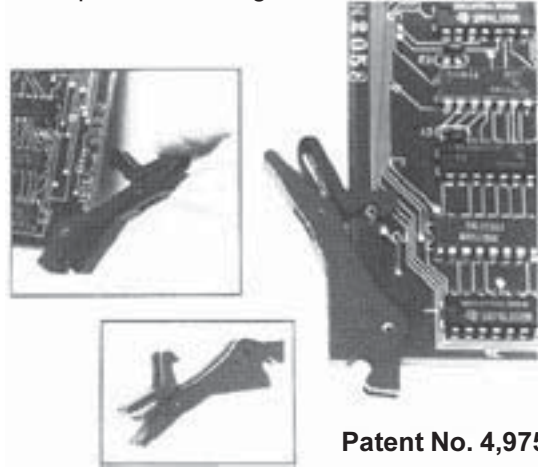


Calmark offers the Series 107-70 Inserter-Extractor for efficient insertion and extraction of PC cards in high density connector-contact and multiple connector applications, with the added feature of "positive" locking.

### FEATURES:

- **Lever action overcomes insertion and extraction forces in excess of 100 lbs. (445 N).**
- **"Positive" locking feature protects against card walkout.**
- **Actuates from a simple "U" channel form.**
- **No chamfer required on corner of PC card.**
- **Available in colors for coding.**
- **Generous area for hot stamp marking.**



Patent No. 4,975,073

### MATERIALS

**Inserter-Extractor:** Glass Filled (30%) 6/6 or 6 Nylon.  
UL 94V-0

**Latch** 6/6 nylon. UL 94V-2.  
Self extinguishing to flame.  
May be used at 250°F continuously  
Resistant to alkalis, weak acids,  
and common solvents.

**Roll Pins:** Stainless Steel (3/32" (2.38) Dia. x 1/4" (6.35) long).  
Two (2) furnished with each inserter-extractor.

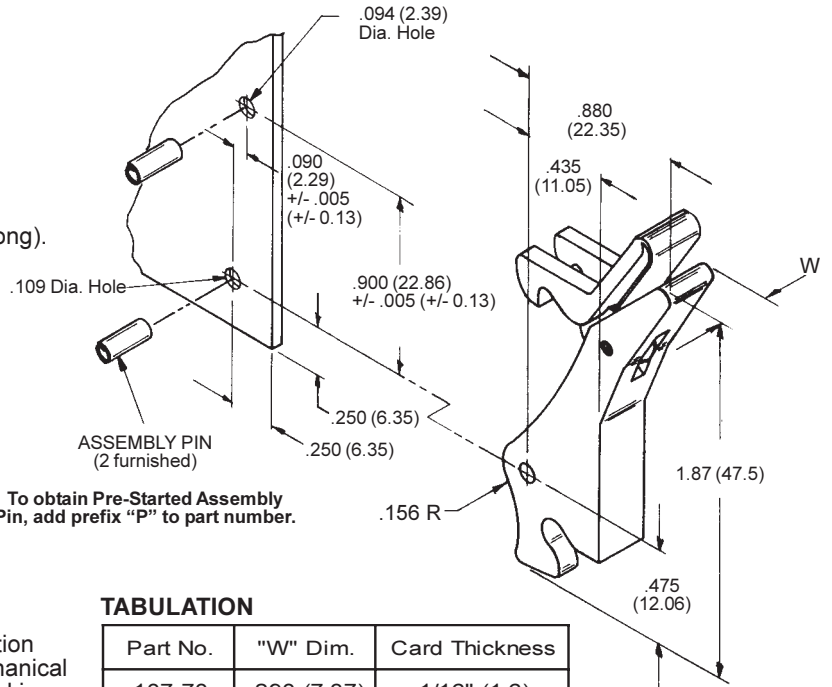
**Weight:** .150 oz (4.25g)

**Hot stamping:** Hot stamp marking can be furnished to your requirements.

**Color:** Standard color is black.  
Additional colors available on request.  
When ordering colors other than black,  
please specify the particular color you wish.

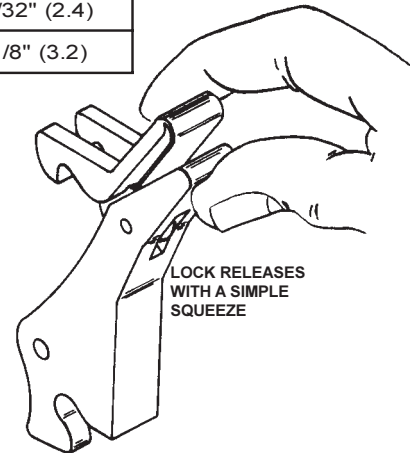
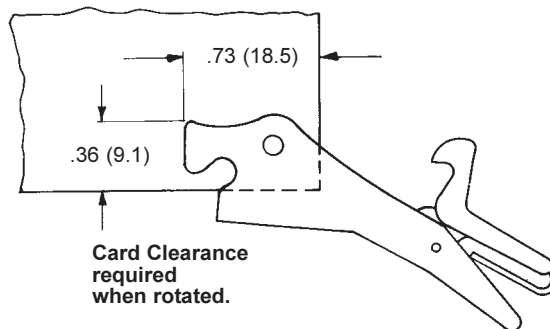
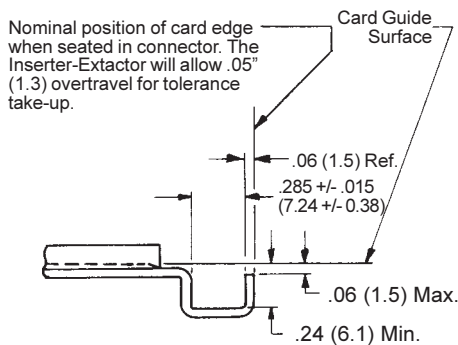
**TOLERANCES:** .xxx = +/- .010, .xx = +/- .02  
(.xx=+/- 0.25, .x=+/- 0.5)

**APPLICATION DATA:** Two inserter-extractors are required per card. Provides insertion and extraction travel of .35 (8.9) minimum with a mechanical advantage of 4:1. In locked position, locking prongs provide 100 lbs. (445 N) minimum of card walkout resistance.



### TABULATION

Part No.	"W" Dim.	Card Thickness
107-70	.290 (7.37)	1/16" (1.6)
107-70-3	.290 (7.37)	3/32" (2.4)
107-70-4	.350 (8.89)	1/8" (3.2)



**DETAIL OF ACTUATING SURFACES**  
Required on top and bottom guide plates of Calmark fabricated card cages.