

Calmark offers the Series 120 snap-in PC Card Guide.

FEATURES:

- Easy and secure snap in design.
- Extra deep guide.
- Wide lead-in for easy card entry.
- No mounting hardware required.
- Narrow profile for excellent airflow.
- Mid-span mounting point for greater stability.
- Economical.



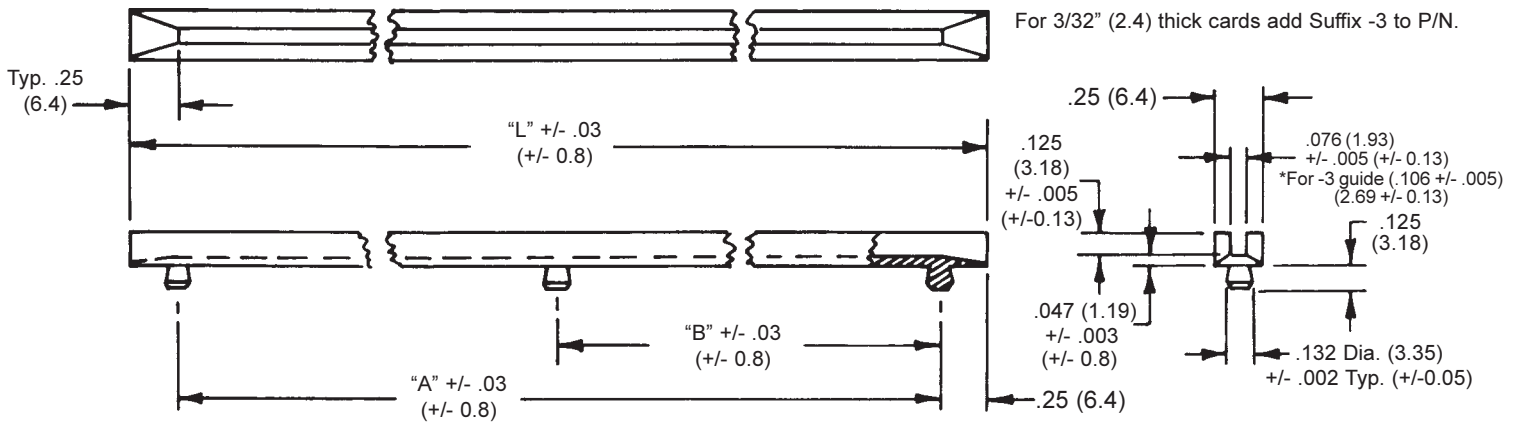
MATERIAL: Nylon 6/6 or 6 (available in conductive material).
Meets UL 94V-2, for VO rated use P/N Prefix "VO".
Self extinguishing to flame.
May be used at 250°F continuously.
Resistant to alkalis, weak acids,
and common solvents.

COLOR: Standard color is natural (white).
Additional colors available on request.
When ordering colors other than white,
please specify the particular color you wish.

TOLERANCES: .xxx = +/- .010, .xx = +/- .02
(.xx = +/- 0.25, .x = +/- 0.5)

TABULATION

Part No.	"L" Dim.	"A" Dim.	"B" Dim.
120-400	4.00 (101.6)	3.50 (88.9)	-----
120-600	6.00(152.4)	5.50 (139.7)	
120-700	7.00 (177.8)	6.50 (165.1)	3.25 (82.6)
120-700X	7.00 (177.8)	6.50 (165.1)	-----
120-850	8.50 (215.9)	8.00 (203.2)	4.00 (101.6)
120-850X	8.50 (215.9)	8.00 (203.2)	-----
120-950	9.50 (215.9)	9.00 (203.0)	4.50 (114.3)



INSTALLATION DATA:

Mounting Holes .128 +.001/- .003 dia hole (front)
(3.25 +0.03/-0.08)
.120 +/- .005 x .218 slot (rear& center)
(3.05 +/- 0.13 x 5.54)
Installation - Snap-in with sharp impact.
No special installation tools required.
Fits up to .075 (1.91) thick material.