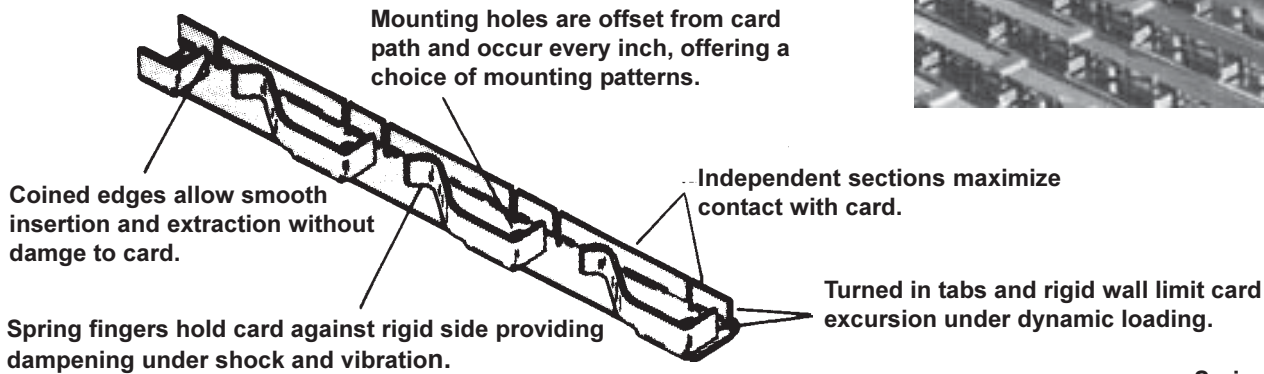


Calmark offers the Series 125 and 126 Card Retainer as the economical approach to protecting your PC cards in shock and vibration. Conforms to DESC 85034.

### FEATURES:

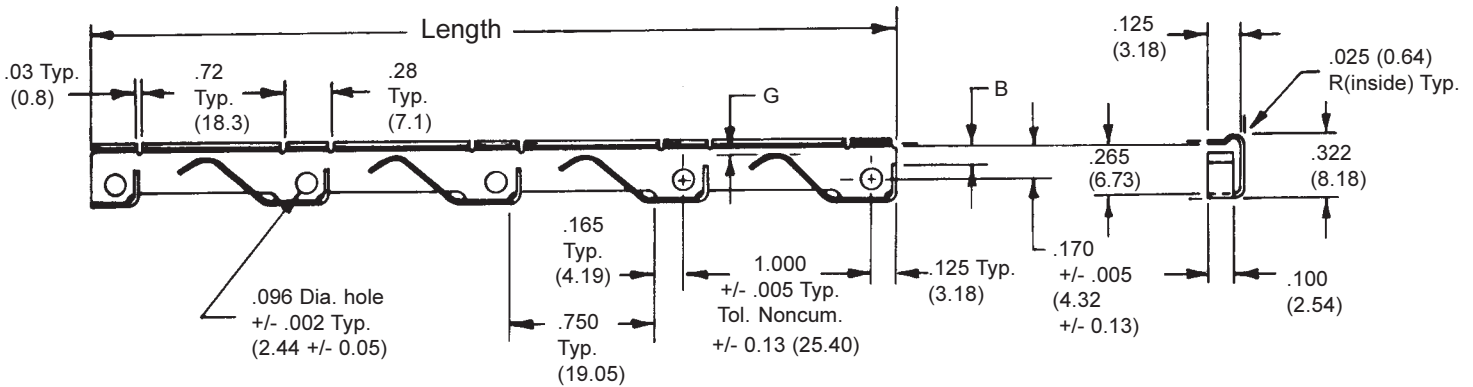


Series 125 - Shown  
Series 126 - Opposite

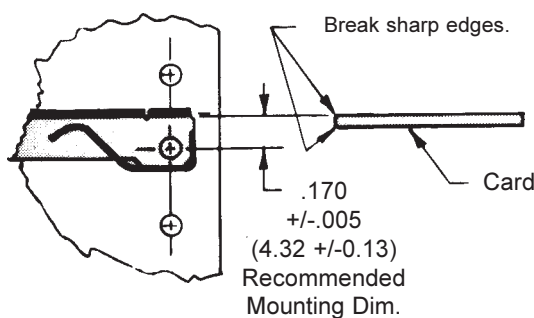
- MATERIAL:** .016 (0.41) thick Stainless Steel  
Type 301, Cond. 1/2 H, ASTM -A240
- FINISH:** Passivate per MIL -S-5002
- WEIGHT:** .036 oz./inch (.4g/cm)
- SPRING RATE:** 34.5 lbs./inch of deflection/spring finger  
(60.4 N/cm)
- TOLERANCES:** .xx = +/- .010, .xx = +/- .02  
(.xx = +/- 0.25, .xx = +/- 0.5)

### TABULATION

Dash No.	Card Thickness	B Dim. +.015 (+0.38) -.000 (-0.0)	G Dim +.00 (0.0) -.03 (-0.80)
-06	1/16 (1.6)	.075 (1.91)	.045 (1.14)
-09	3/32 (2.4)	.105 (2.67)	.075 (1.91)



### APPLICATION DATA:



### PART NO. CODE

125-06-3.25

Length (1.25 thru 12.25 by 1" increments)  
Longer lengths available on request.

Card thickness (see Tabulation)

125-Shown  
126-Opposite