

Calmark offers the Series 301-175 "adjustable" Fan Tray for cooling electronics in standard EIA cabinets, enclosures, and racks. The Series 301-175 Fan Tray mounts in a standard 19 inch (482.6) EIA rack, requiring only 1 3/4 inches (44.4) of standard panel height.

### FEATURES:

- **Sturdy and rigid construction.**
- **Requires only 1 3/4 (44.4) inches of panel height.**
- **Accommodates up to nine 4 1/2 inch (114.3) axial fans.**
- **Unlimited adjustment of fan location.**
- **Available with U.S. Toyo high performance, high reliability, low cost axial fans.**
- **Available unassembled or completely assembled and wired, ready to plug in.**
- **Available with rear support brackets for standard EIA mounting rails.**
- **Design flexibility offers easy customizing**  
**Special requirements available on request.**  
*(see design data sheet)*



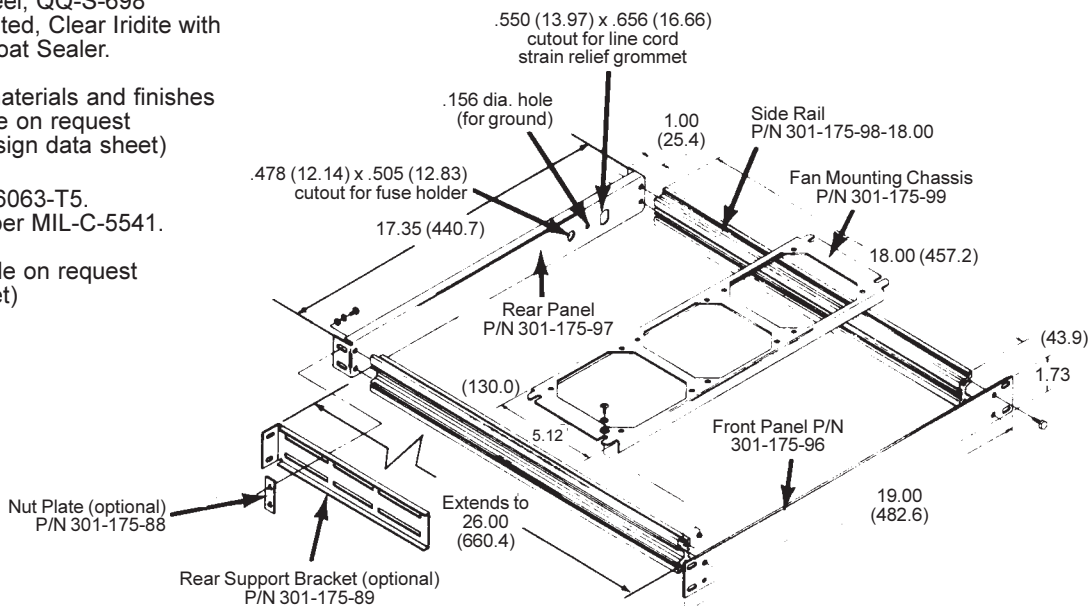
### Materials & Finishes

**Fan Mounting Panel, Front & Rear Panels, Rear Support Brackets (optional)** — C.R. Steel, QQ-S-698  
Zinc Plated, Clear Iridite with Clear Coat Sealer.

Other materials and finishes available on request (see design data sheet)

**Side Rails** — Aluminum Extrusion, 6063-T5.  
Clear Chemical Film per MIL-C-5541.

Other finishes available on request (see design data sheet)



### PART NO. CODE

**P/N 301-175 is an unassembled fan tray kit consisting of:**

P/N 301-175-99	Fan Mounting Chassis	Qty.1
P/N 301-175-98-18.00	Side Rail	Qty.2
P/N 301-175-97	Rear Panel	Qty.1
P/N 301-175-96	Front Panel	Qty.1
-----	Assembly Hardware	-----

Optional items available as follows:

Rear Support Kit -- P/N 301-2 consisting of:		
P/N 301-175-89	Bracket	Qty.2
P/N 301-175-88	Nut Plate	Qty.2
-----	Assembly Hardware	-----

Extra Fan Mounting Chassis Kit -- P/N 301-1 consisting of:

P/N 301-175-99	Fan Mounting Chassis	Qty.1
-----	Assembly Hardware	-----

**For fan trays with fans, wiring and assembly see Design Data Sheet.**