

Calmark offers the Series 100-1 Guide Entry Enhancement for optimum card entry on metal louver card guides.

FEATURES

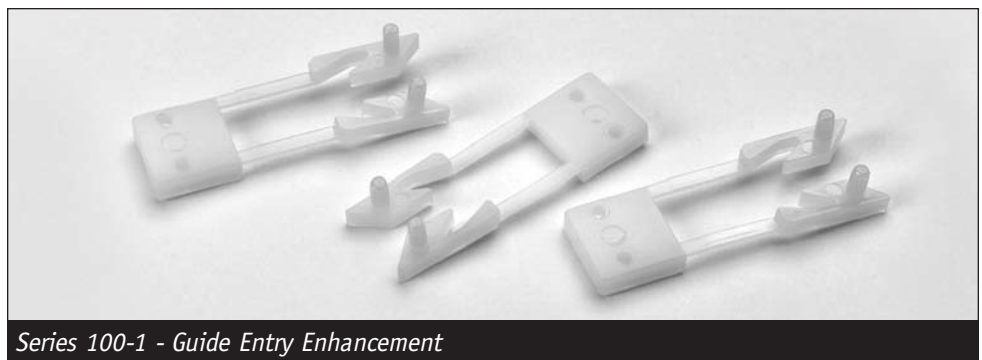
- Wide lead-in for easy card entry
- Easy and secure snap-on design
- Fits most all metal louver card guides
- Available in colors for card position coding
- Economical

MATERIAL

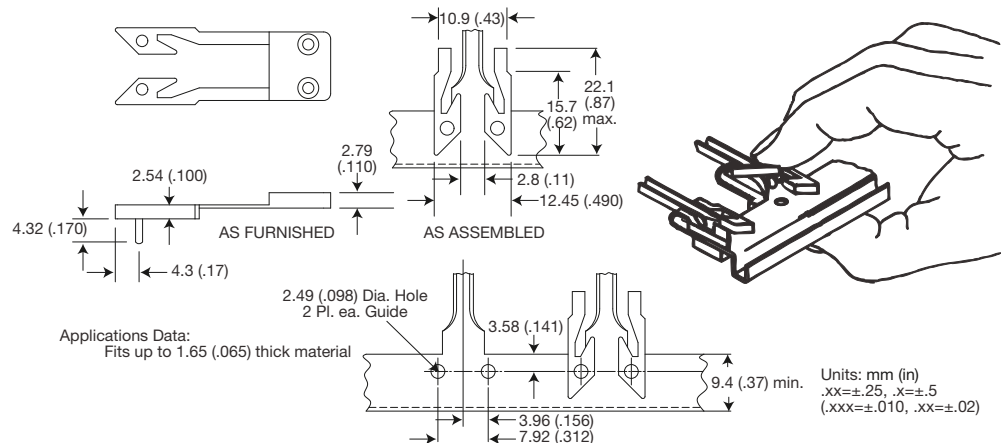
Nylon 6/6. Meets UL 94V-2. Self extinguishing to flame. May be used at 121°C (250°F) continuously. Resistant to alkalis, weak acids, and common solvents.

COLOR

Standard color is natural (white). Additional colors: For other colors append BLK, BRN, RED, ORG, YEL, GRN, BLU, VIO or GRY to part number.



Series 100-1 - Guide Entry Enhancement



Calmark offers the Series 115-287 Card Guide, a most unique design in PC card guides. The Series 115-287 Card Guide allows users of louver or lance type card guides to easily change to an insulated nylon card guide with a minimum modification of strength and air flow.

FEATURES

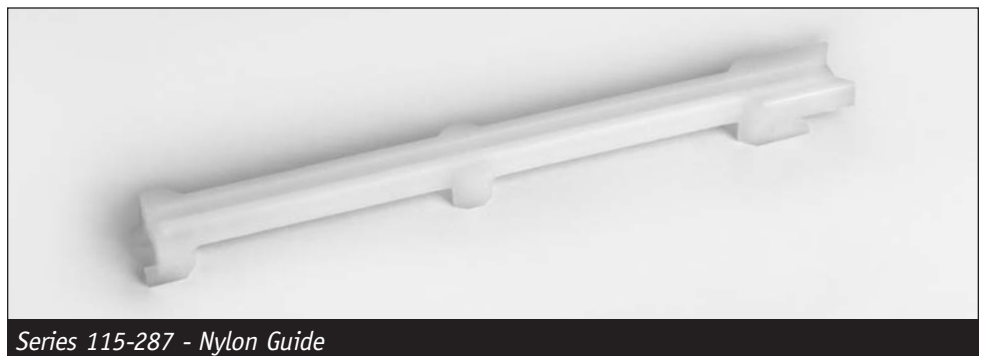
- Available for 1.61 (.063) and 2.43 (.094) thick printed circuit boards
- Unique snap-on design
- Secure and easy installation
- Wide lead-in for easy card entry
- No mounting hardware required
- Metal web support provides strength and rigidity
- Narrow profile for excellent airflow
- No mounting holes required
- Economical

MATERIAL

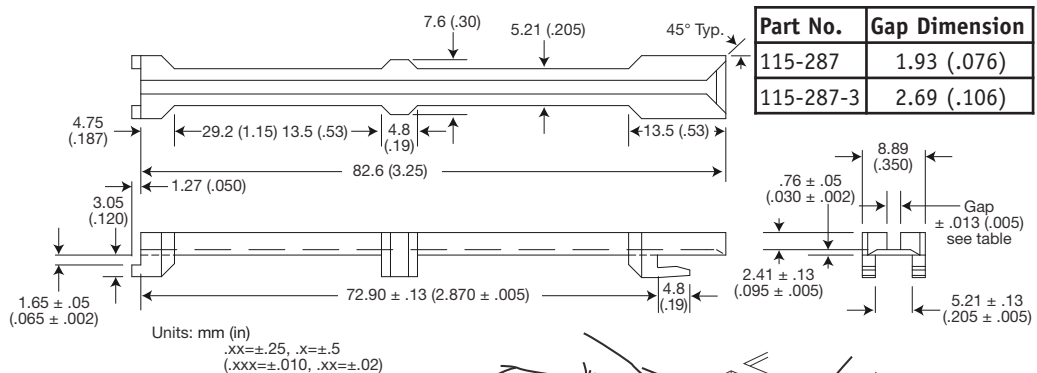
Nylon 6/6. Meets UL 94V-2. Self extinguishing to flame. May be used at 121°C (250°F) continuously. Resistant to alkalis, weak acids, and common solvents.

COLOR

Standard color is natural (white). Additional colors: For other colors append BLK, BRN, RED, ORG, YEL, GRN, BLU, VIO or GRY to part number.



Series 115-287 - Nylon Guide



APPLICATION DATA

1. Slip front end of guide on first.
 2. Bow guide and tuck back under.
- Fits up to 1.65 (.065) thick material.

